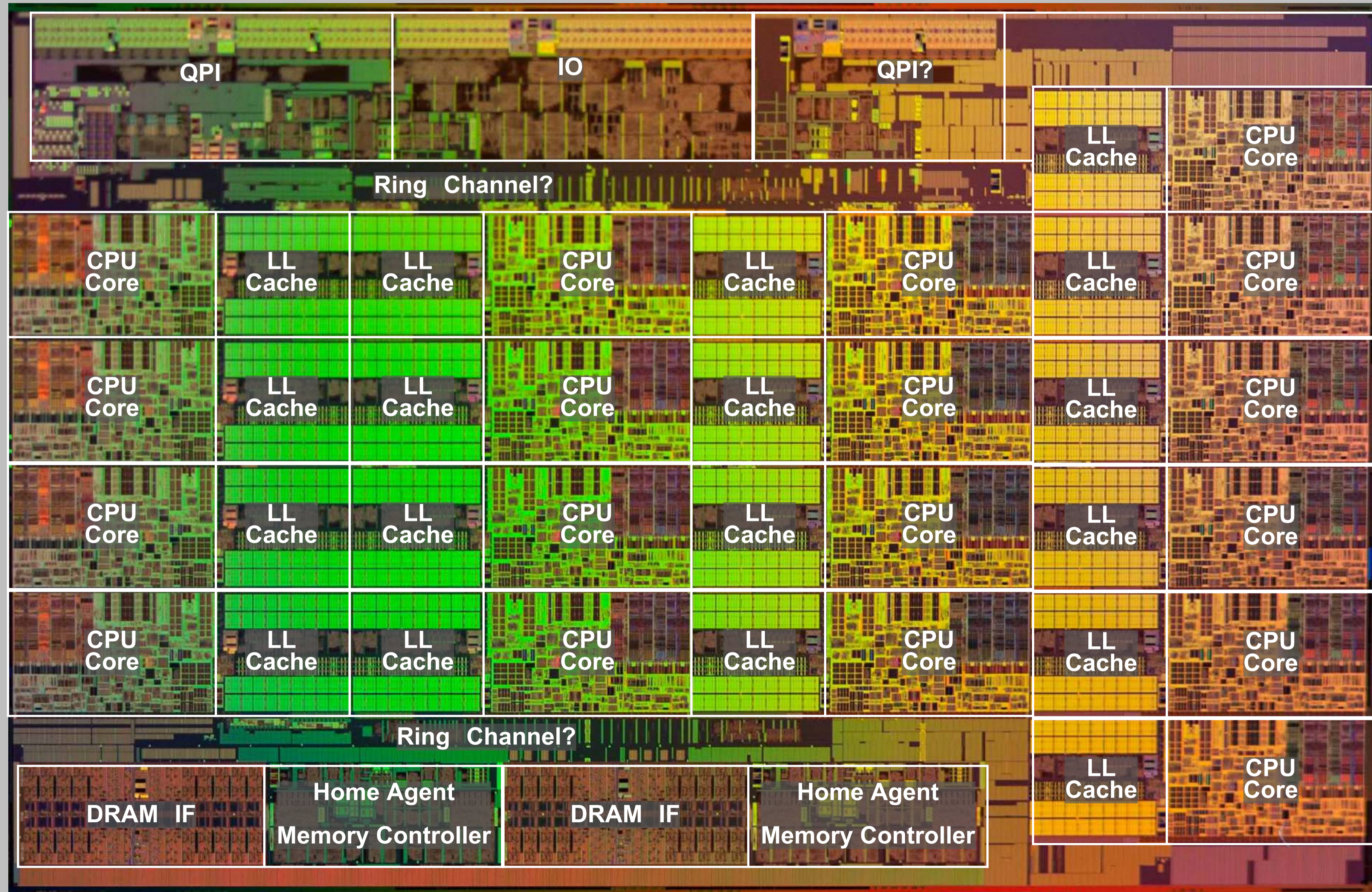


Haswell-E Family 18Cores



18 Haswell CPU cores
 45 MB LL Cache
 22nm Bulk FinFET Process
 662 mm²
 5.69B Transistors
 -145W

4-Channel DDR4 DRAM IF
 (8 DDR4 Channels /w Memory Buffer?)
 60 lanes QPI
 (3 links)
 40 lanes PCI Express 3.0
 4 lanes DMI