

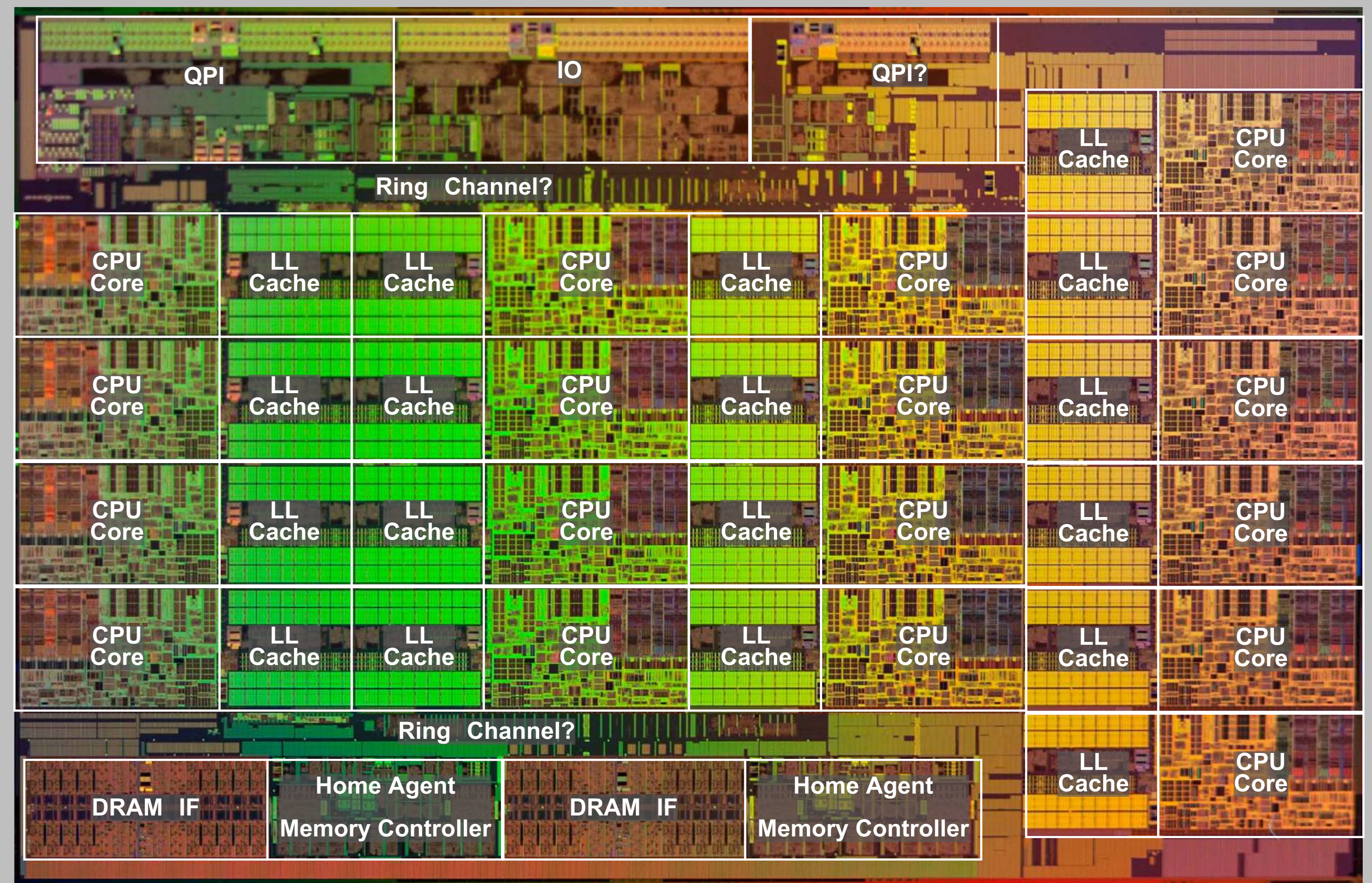
IvyTown 15 Cores



14 Ivy Bridge CPU cores  
 37.5 MB LL Cache  
 22nm Bulk FinFET Process  
 541 mm<sup>2</sup>  
 4.31B Transistors  
 -145W

4-Channel DDR3 DRAM IF  
 (8 DDR3 Channels /w Memory Buffer)  
 60 lanes QPI  
 (3 links)  
 40 lanes PCI Express  
 4 lanes DMI

Haswell-E Family 18 Cores



18 Haswell CPU cores  
 45 MB LL Cache  
 22nm Bulk FinFET Process  
 662 mm<sup>2</sup>  
 5.69B Transistors  
 -145W

4-Channel DDR4 DRAM IF  
 (8 DDR4 Channels /w Memory Buffer?)  
 60 lanes QPI  
 (3 links)  
 40 lanes PCI Express 3.0  
 4 lanes DMI