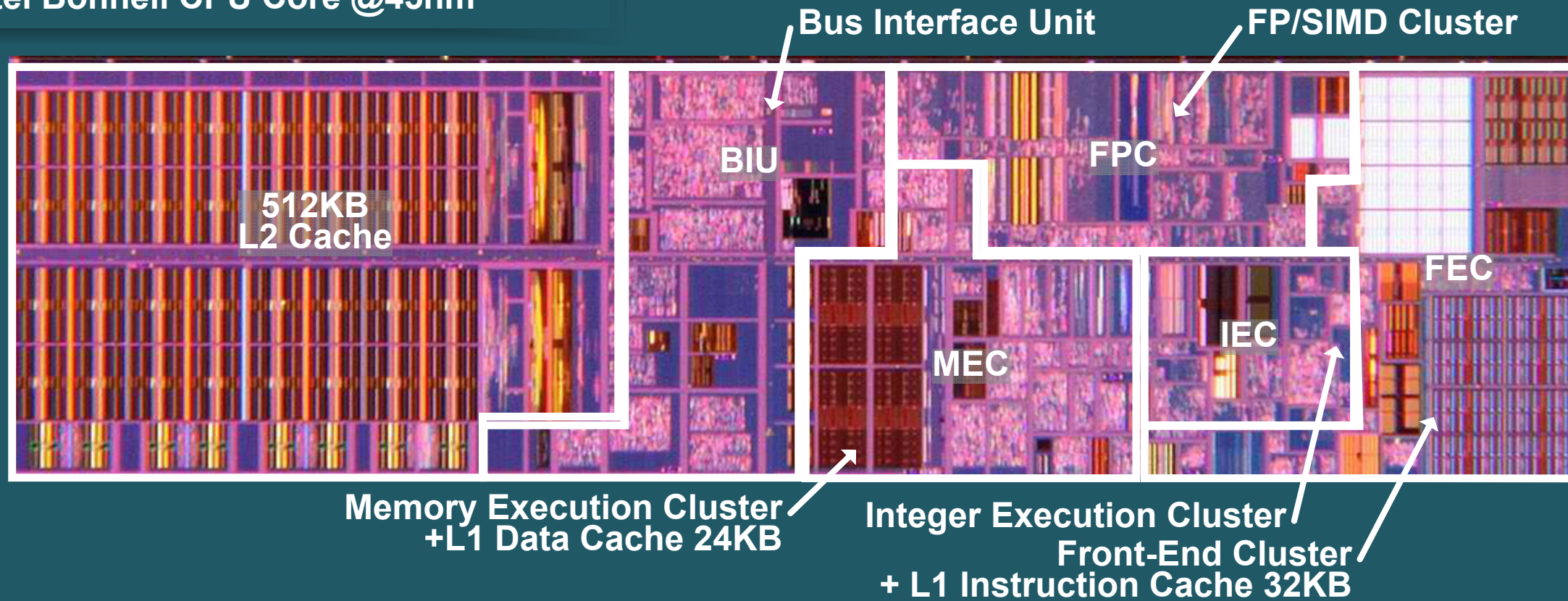


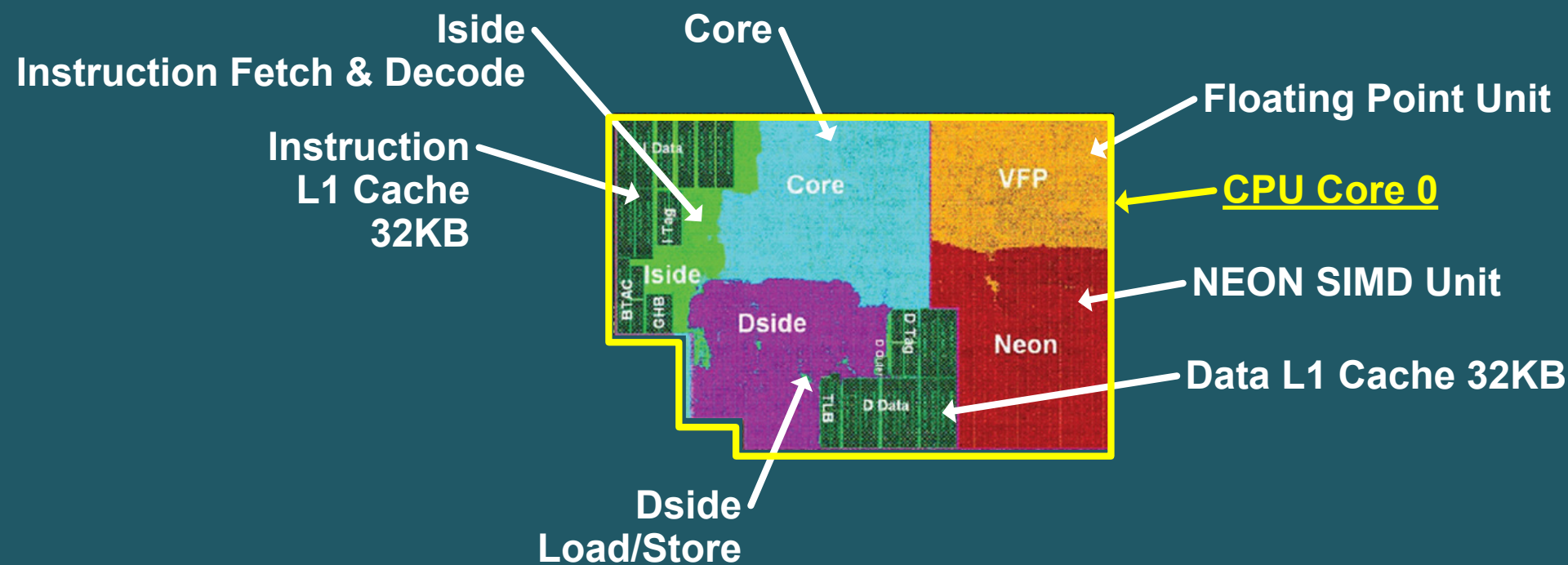
Intel LPIA Cores vs ARM Cores

Intel Bonnell CPU Core @45nm



45 nm LP bulk Process (Intel)
 2-Decode In-Order
 24KB L1 Data Cache
 32KB L1 Instruction Cache
 512KB L2 Cache
 14mm² CPU Core+L2
 <9mm² CPU Core
 (w/o bus unit 6.x mm²)

ARM Cortex-A9 @40nm



40 nm bulk G Process (TSMC)
 2-Decode Out-of-Order
 32KB L1 Data Cache
 32KB L1 Instruction Cache
 Up to 2MB L2 Cache
 1.35-2.6 mm²
 (1 CPU Core)