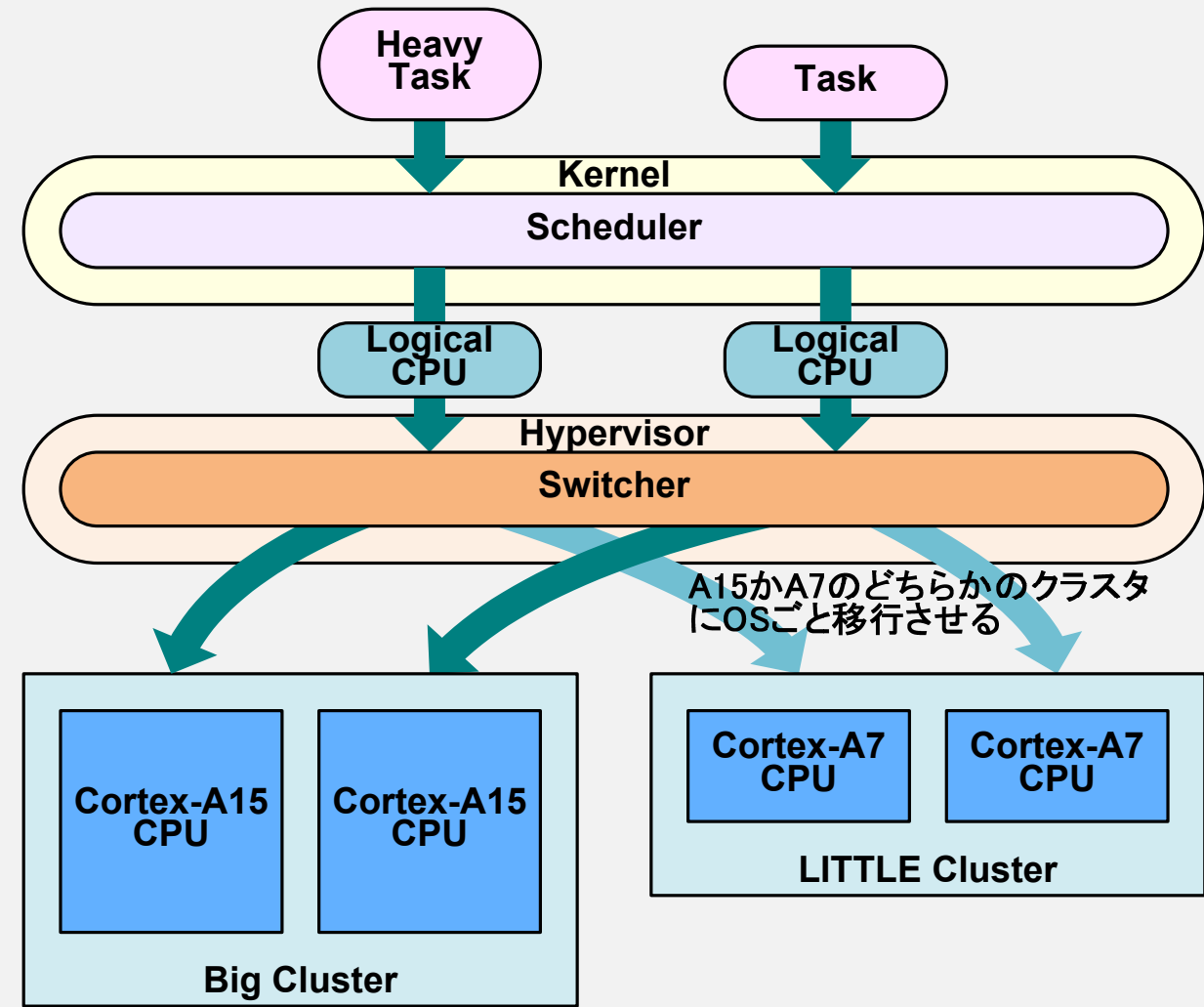
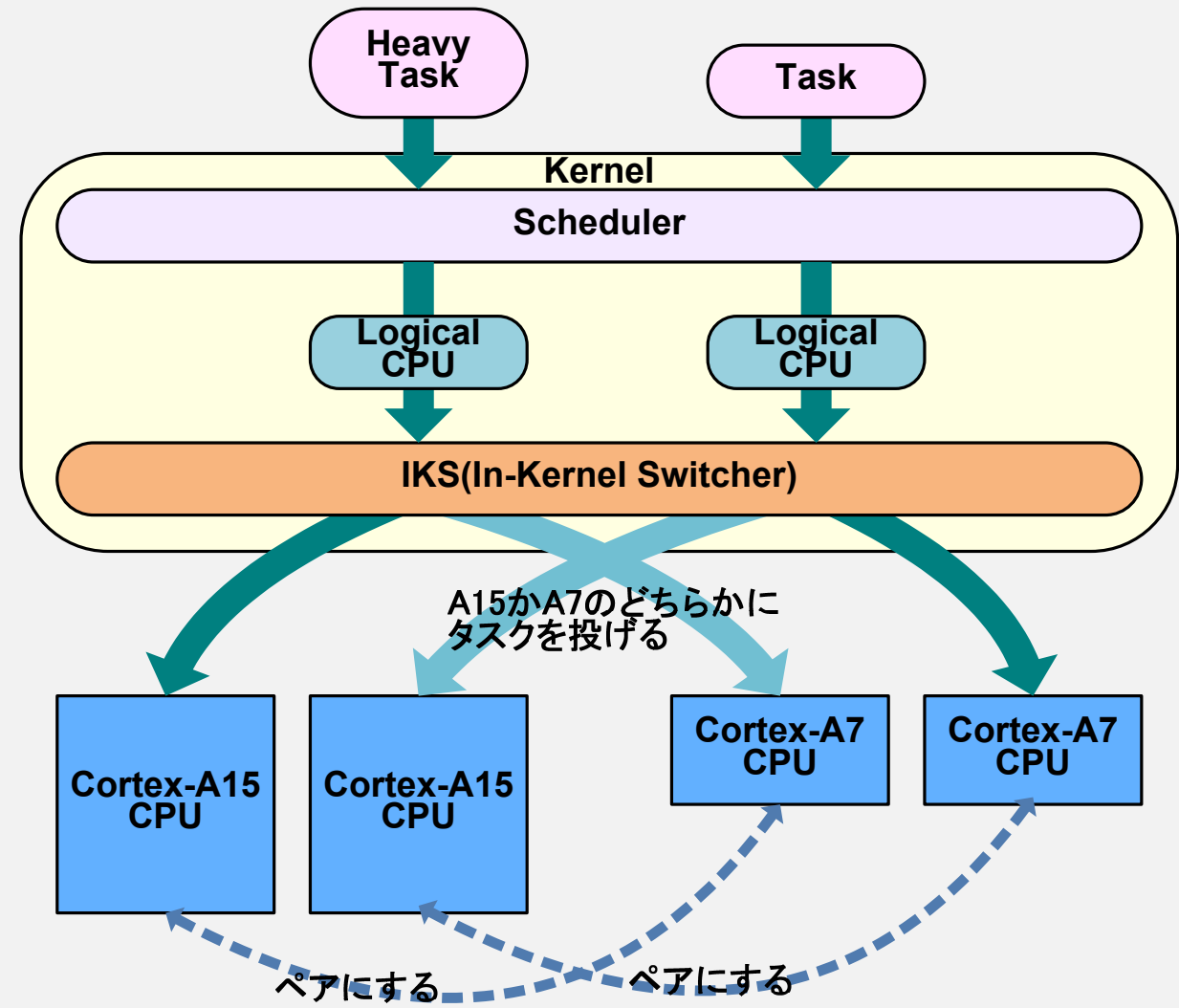


Cluster Migration Use Model (Hypervisor Mode)



CPU Migration Use Model (In-Kernel Switcher Mode)



Global Task Scheduling (big.LITTLE MP)

