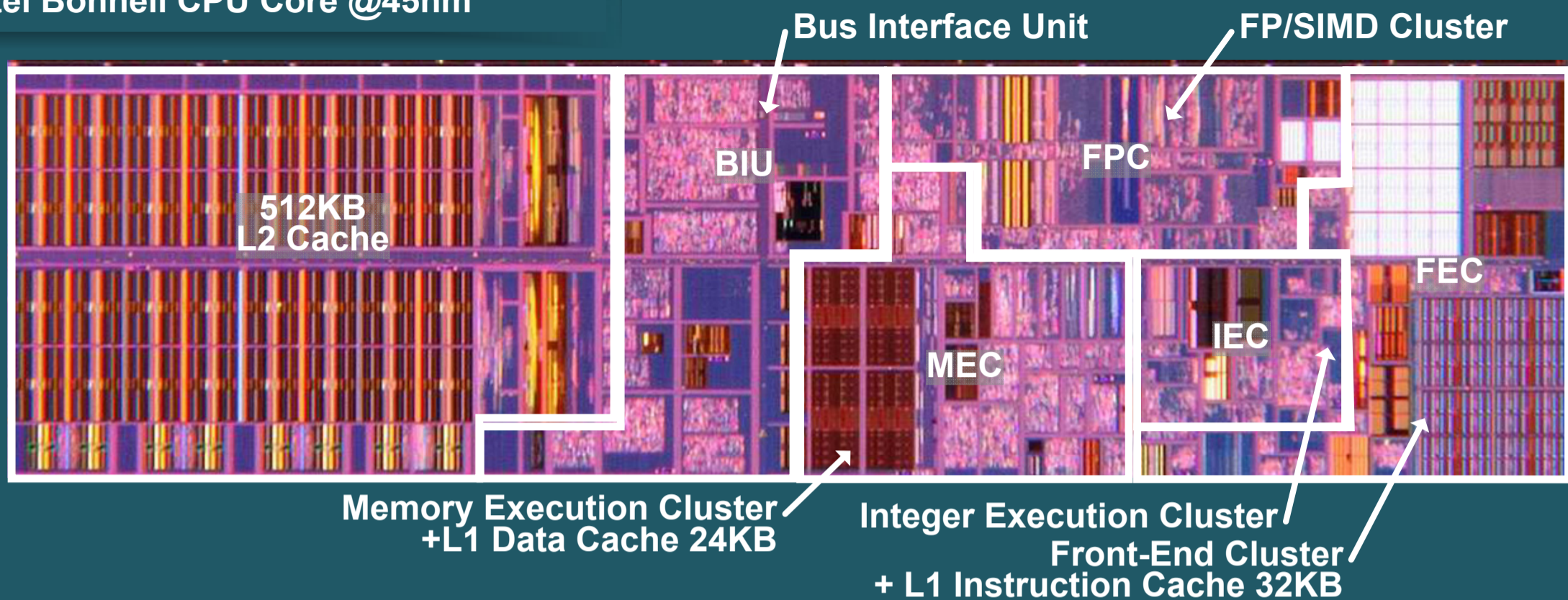


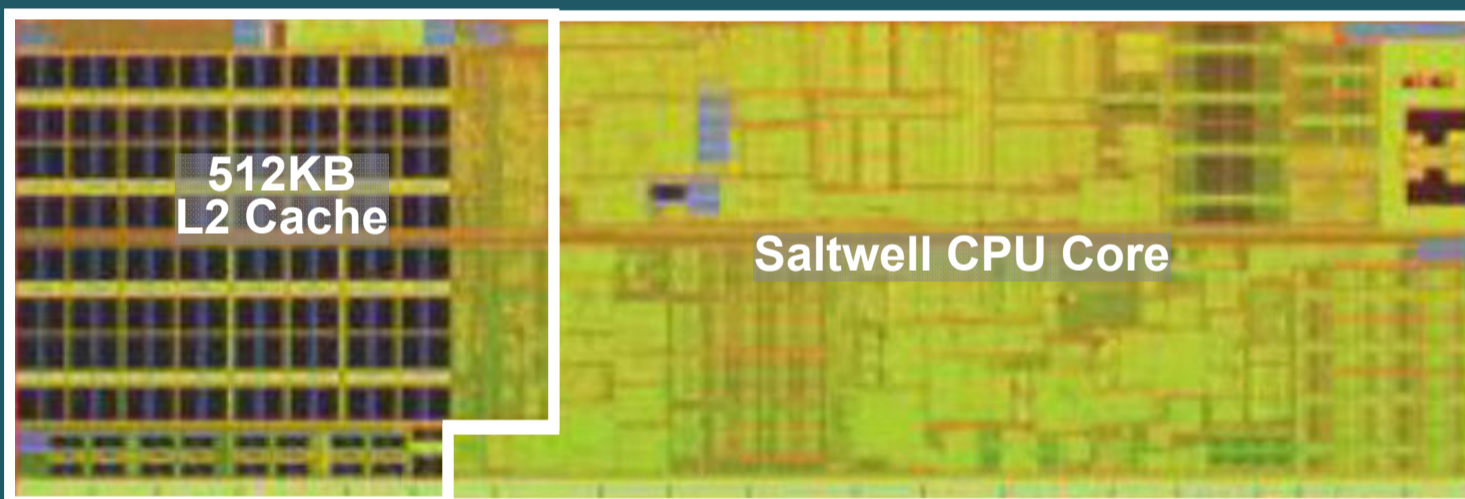
Intel LPIA Cores

Intel Bonnell CPU Core @45nm



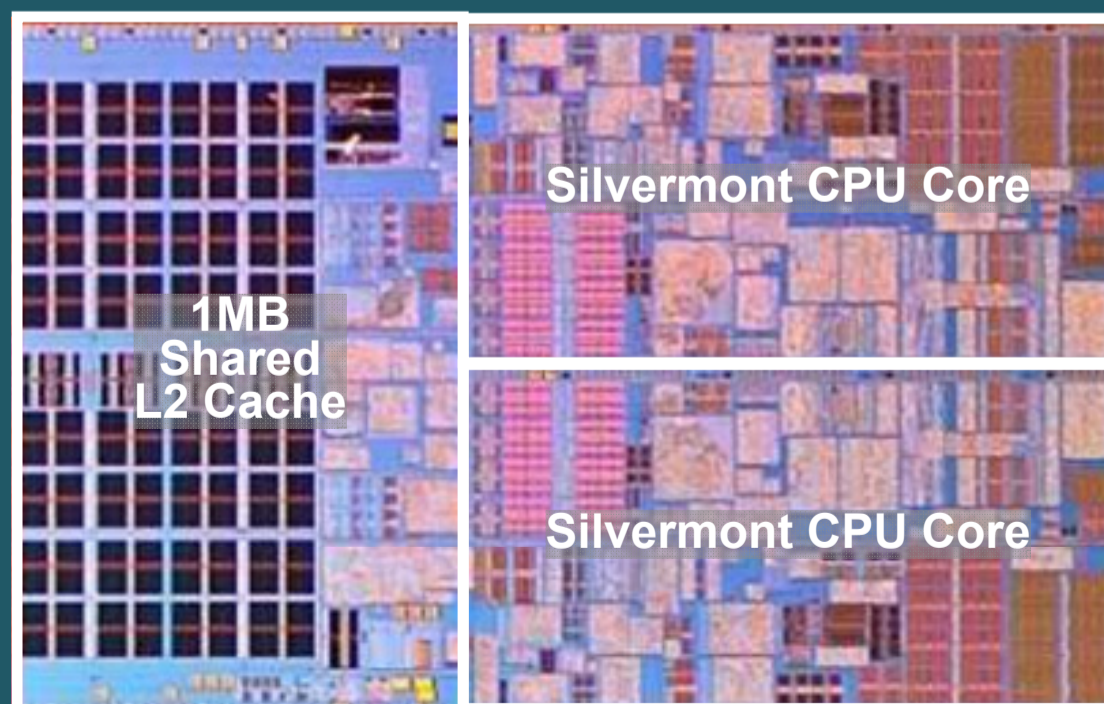
45 nm LP bulk Process (Intel)
 2-Decode In-Order
 24KB L1 Data Cache
 32KB L1 Instruction Cache
 512KB L2 Cache
 14mm² CPU Core+L2
 <9mm² CPU Core
 (w/o bus unit 6.x mm²)

Intel Saltwell CPU Core @32nm



32 nm LP bulk Process (Intel)
 2-Decode In-Order
 24KB L1 Data Cache
 32KB L1 Instruction Cache
 512KB L2 Cache
 <8 mm² CPU Core+L2
 5.x mm² CPU Core
 (w/o bus unit <4 mm²)

Intel Silvermont 2 CPU Core @22nm



22 nm LP bulk FinFET Process (Intel)
 2 CPU Cores
 2-Decode Out-of-Order
 24KB L1 Data Cache
 32KB L1 Instruction Cache
 1MB Shared L2 Cache
 8.x mm² CPU Core+L2
 2.x mm² CPU Core(w/o bus)

40.00倍