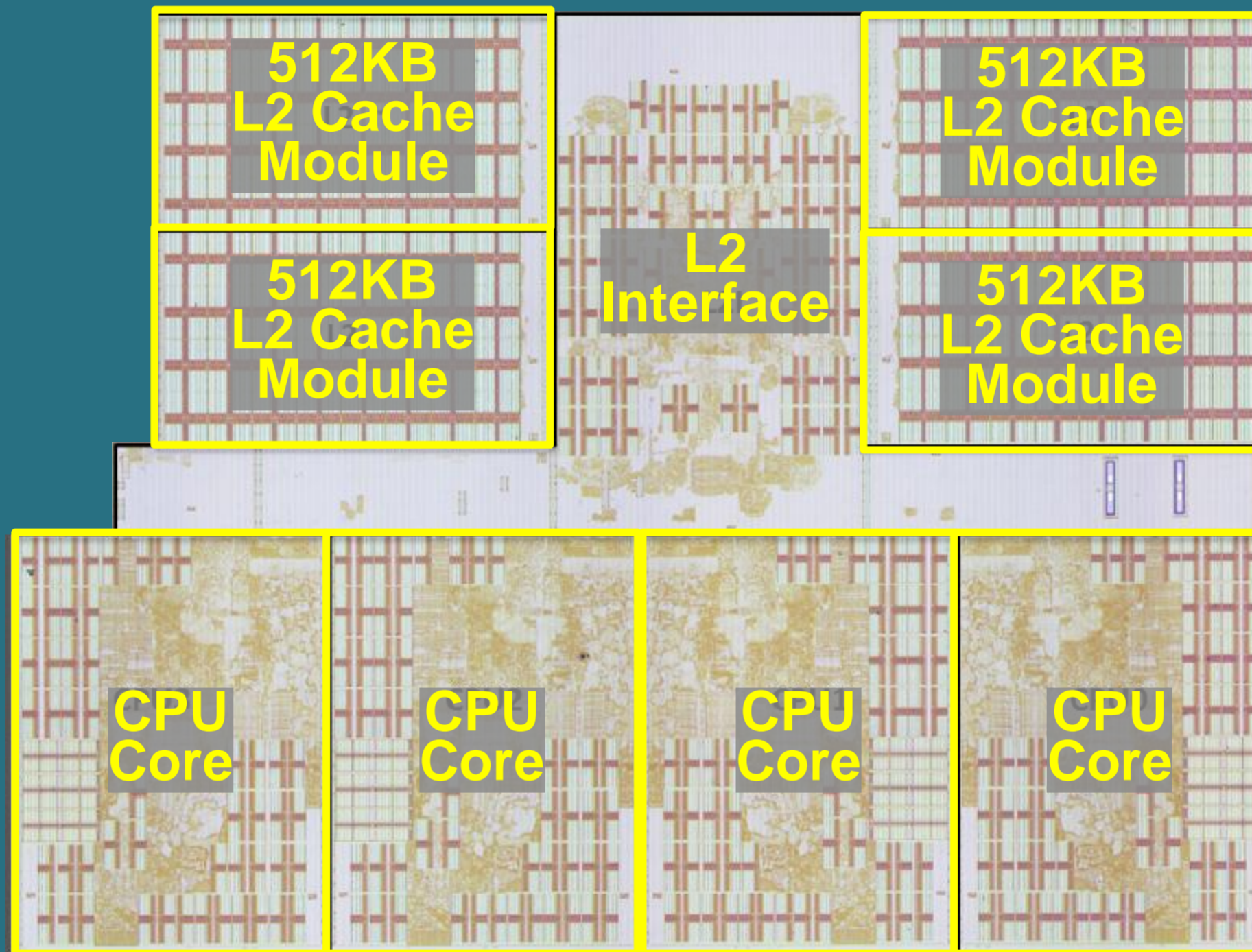


AMD Jaguar Compute Unit (4Core+2MB L2)



Process

28nm high-k metal-gate (HKMG) bulk Process

TSMC

11-metal layer

4 CPU Cores

2 MB L2 Cache

Module + 2MB L2

26.2mm²