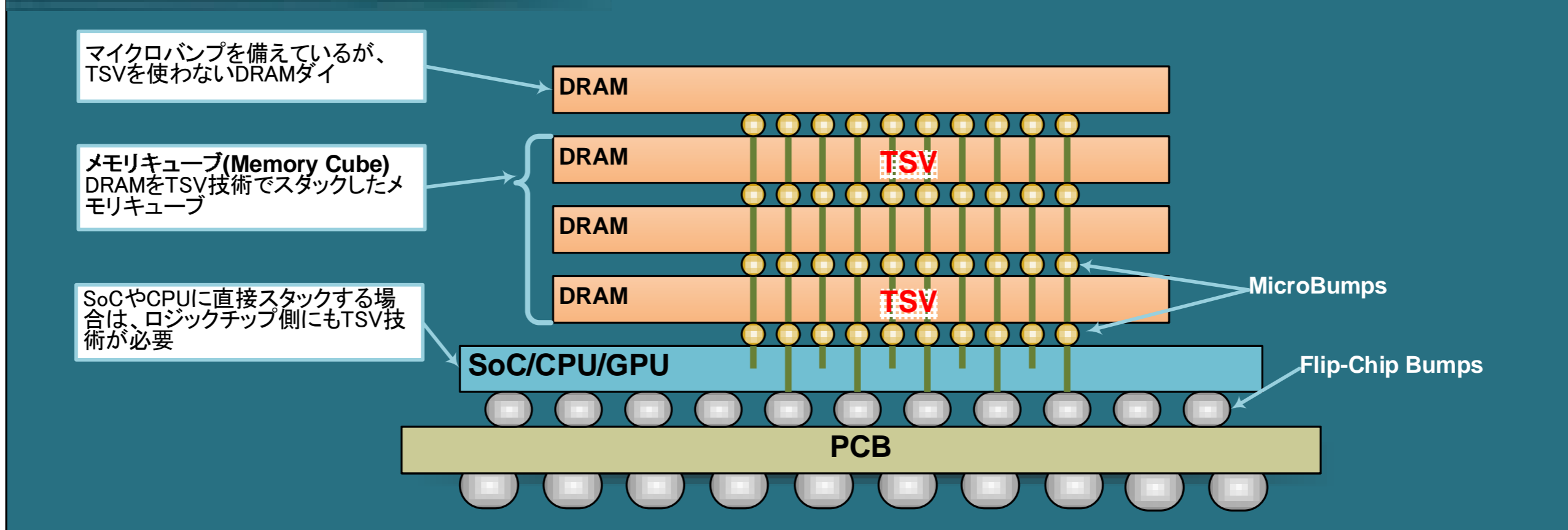


# Stacked DRAM Solutions

## 3D Direct Stack



## 2.5D (TSV Interposer)

