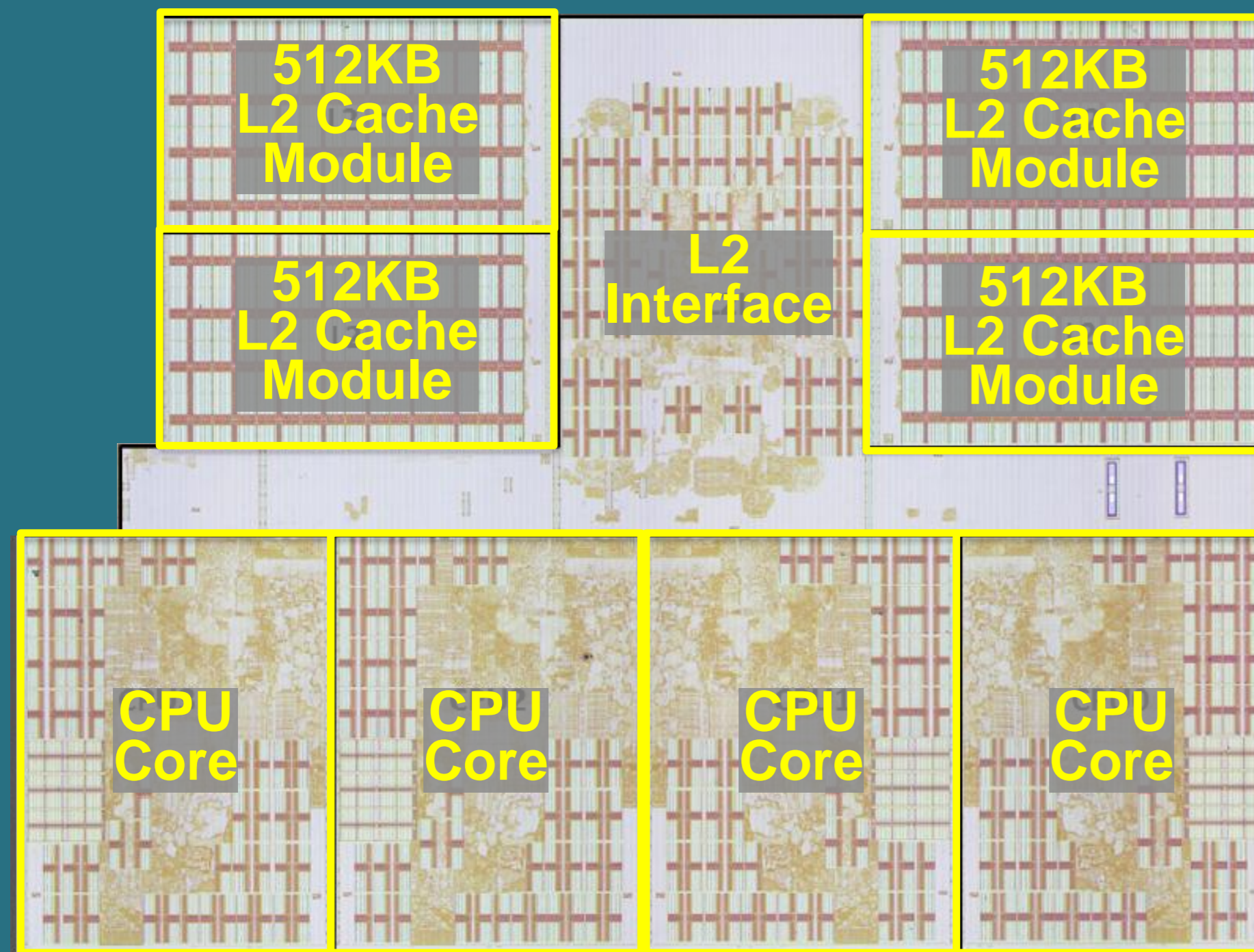
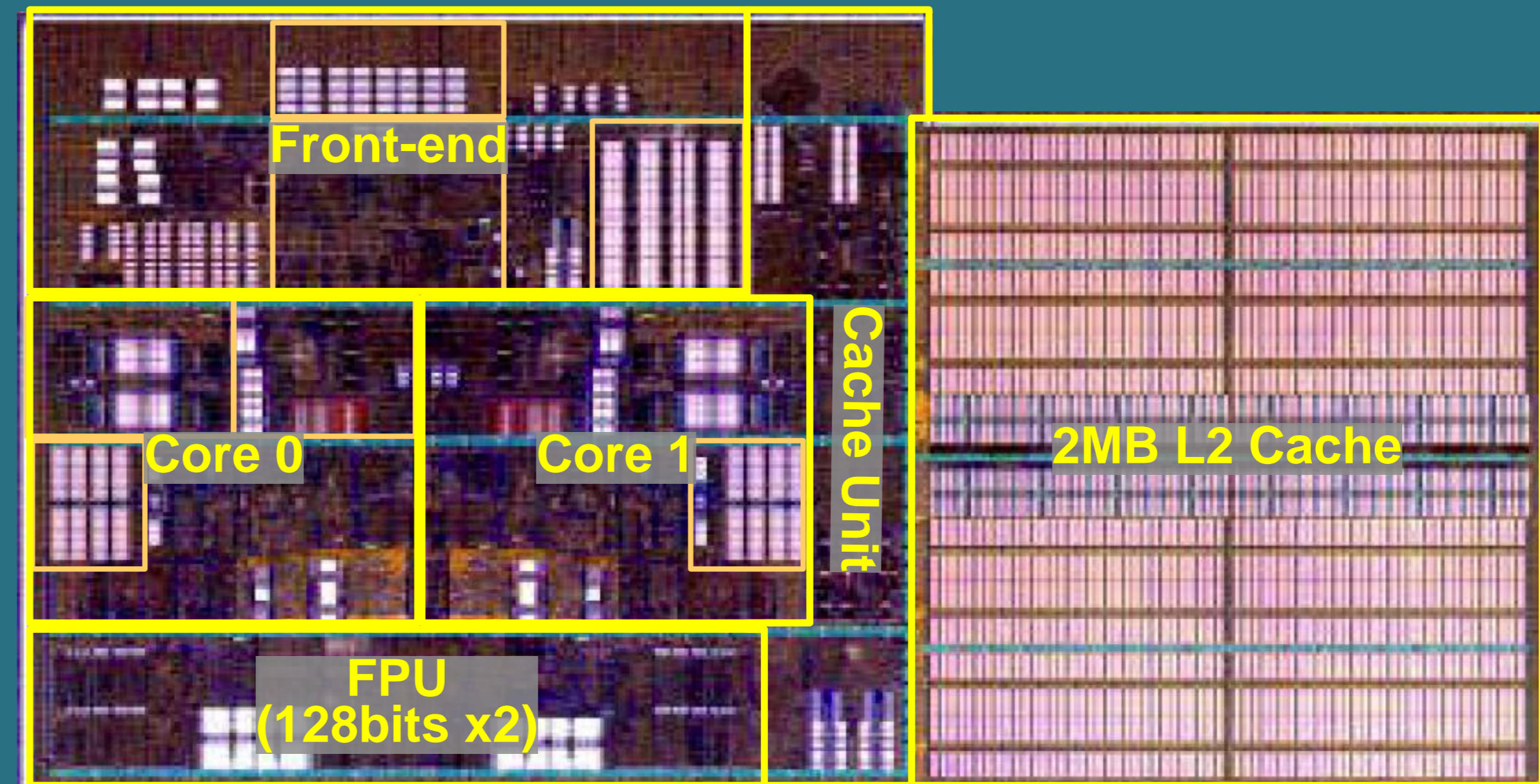


AMD Jaguar Compute Unit (4Cores+2MB L2)



Process
28nm high-k metal-gate (HKMG) bulk Process
TSMC
11-metal layer
4 CPU Cores
2 MB L2 Cache
Module + 2MB L2
26.2mm²

AMD Bulldozer Module (2Cores+2MB L2)



Process
32nm high-k metal-gate (HKMG) SOI Process
GLOBALFOUNDRIES
11-metal layer
2 CPU Cores
2 MB L2 Cache
Module + 2MB L2
30.9mm²
213 M Transistors