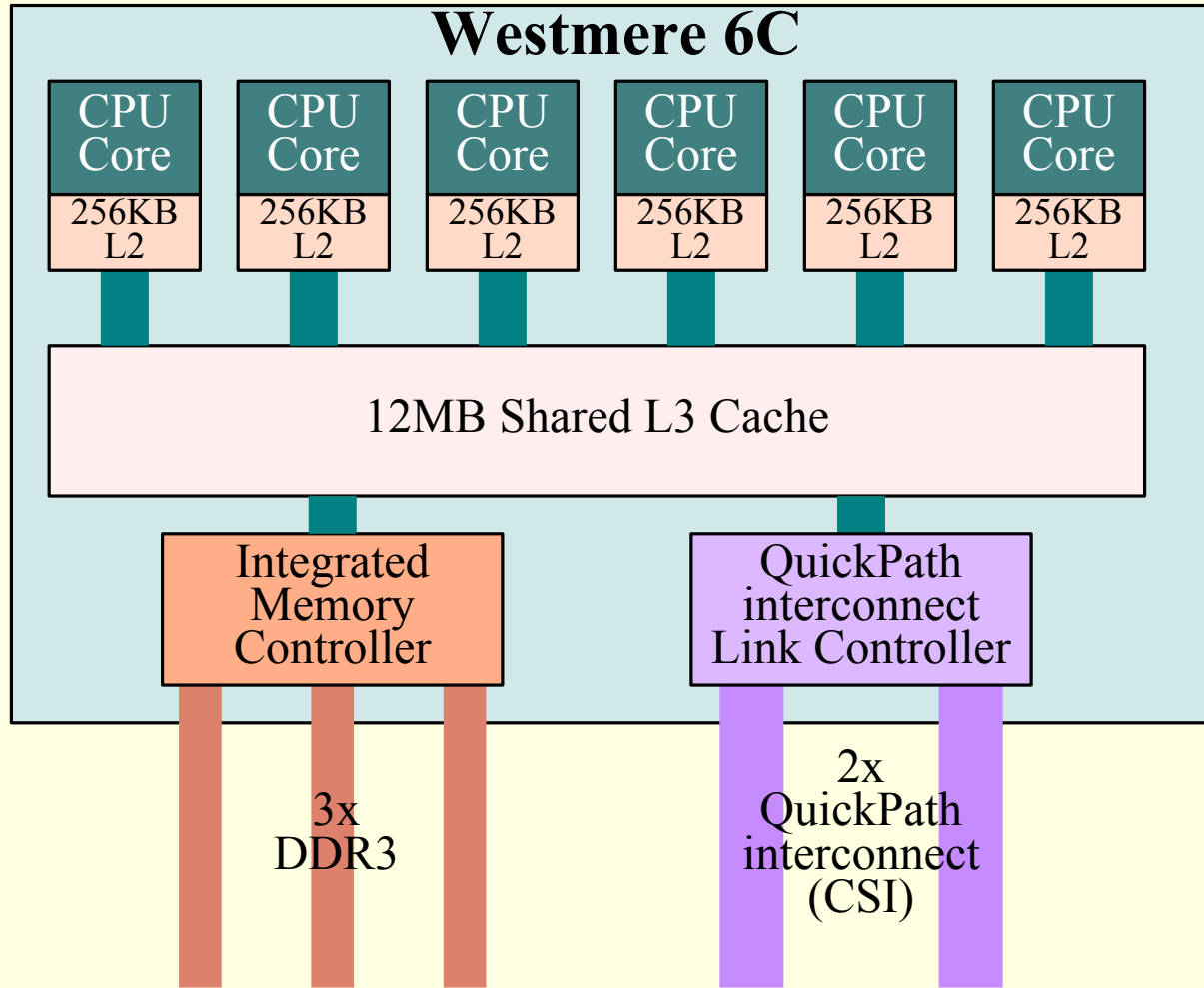


# Westmere 6C



6CPU cores  
12 Threads (2way SMT)  
12MB Shared L3 Cache  
32nm Process  
TDP -130W  
3x DDR3 Interfaces  
2x QPI Link  
Socket 1366