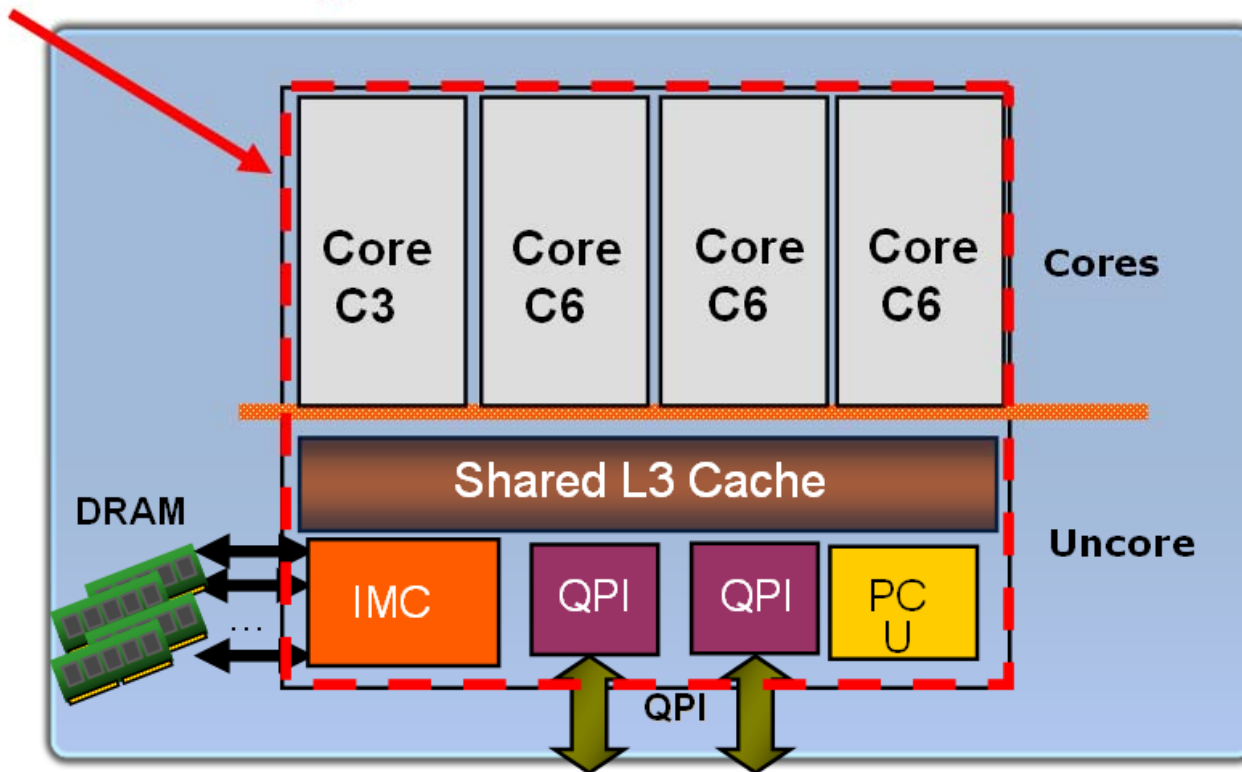


Core C States vs. Package C States

Processor enters Package C3 once all cores transition into Core C3 or deeper



Core C states – Software Control

- cc0: working state; ccn: Non-working state
- MWAITn instruction causes core to enter ccn
- OS puts core in ccn state in idle thread

Package C states – Hardware Control

- Transition ONLY when ALL cores are in ccn
- Processor enters package C state autonomously