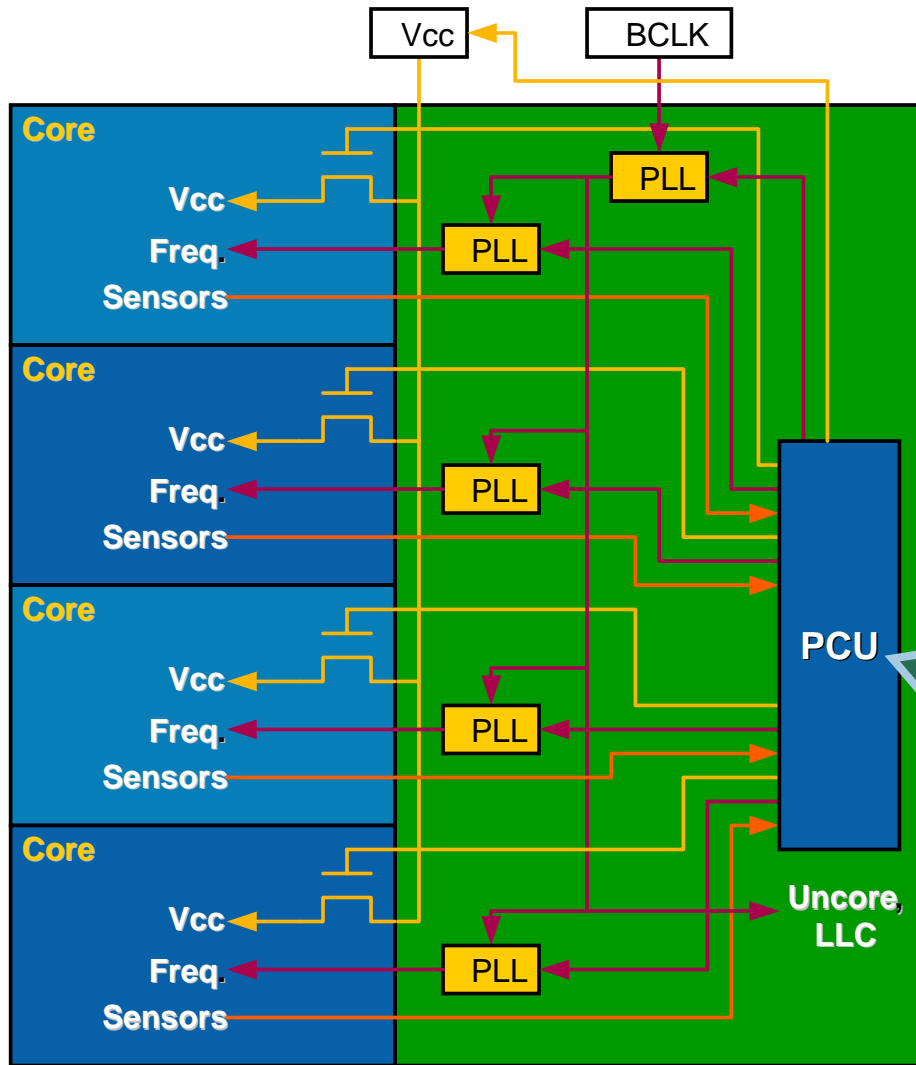


Power Control Unit



Integrated proprietary microcontroller

Shifts control from hardware to embedded firmware

Real time sensors for temperature, current, power

Flexibility enables sophisticated algorithms, tuned for current operating conditions