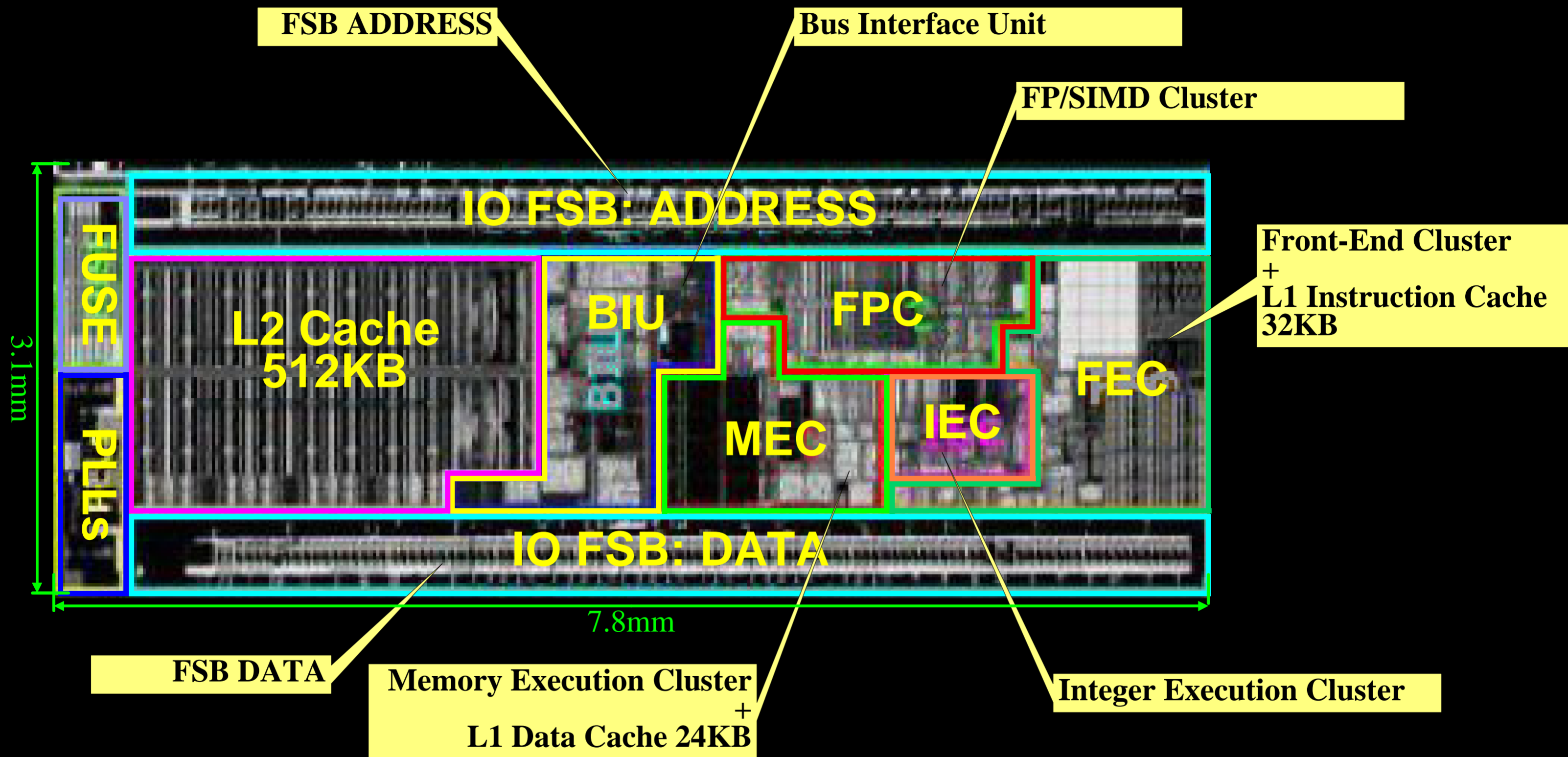


# Silverthorne Layout



**Silverthorne**  
 45nm  
 High-K, Metal-gate CMOS, 9 Layer  
 Transistors 47M  
 Die Area <25mm<sup>2</sup>  
 W 7.8mm  
 H 3.1mm  
 TDP -2W  
 2GHz