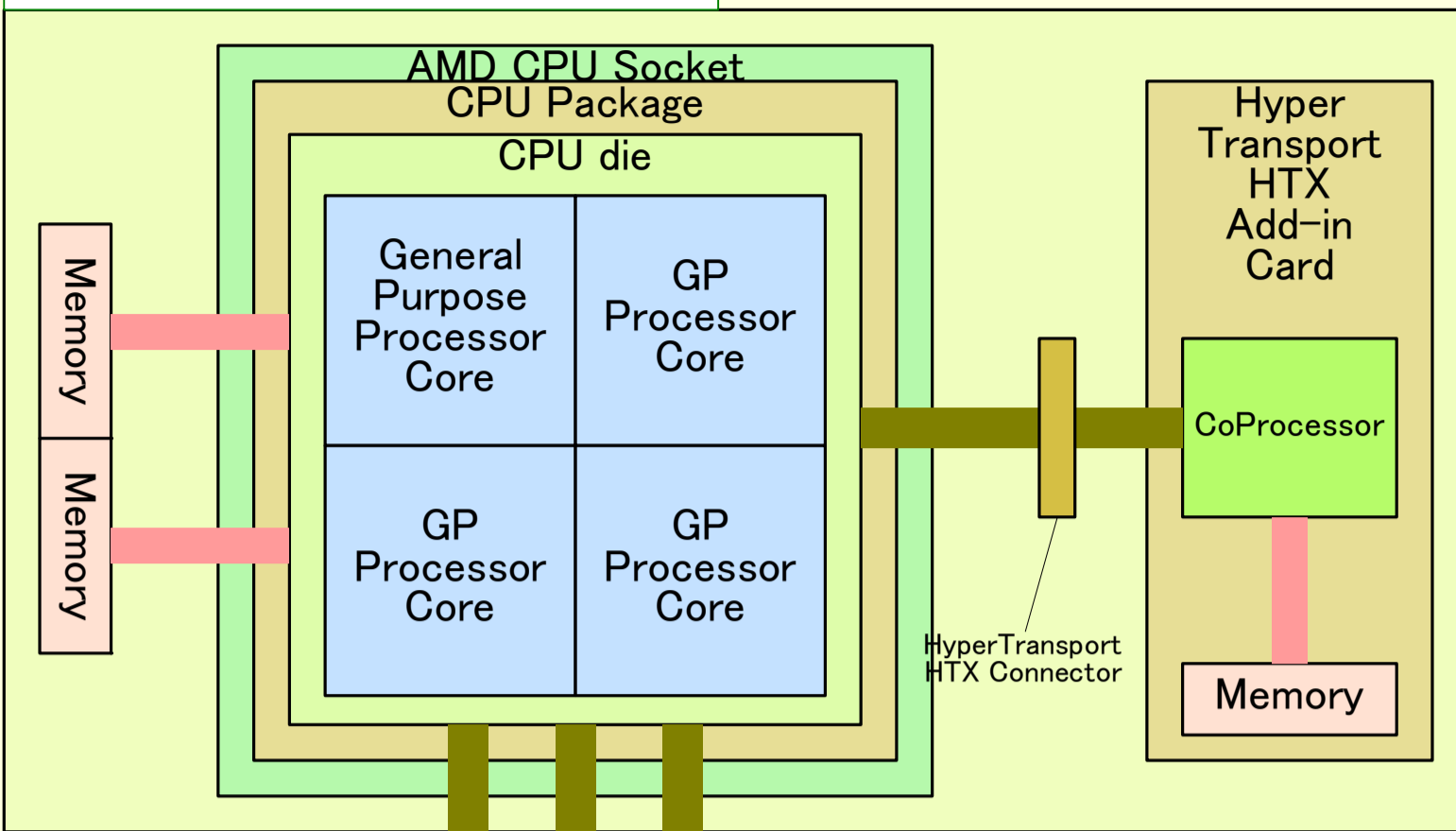
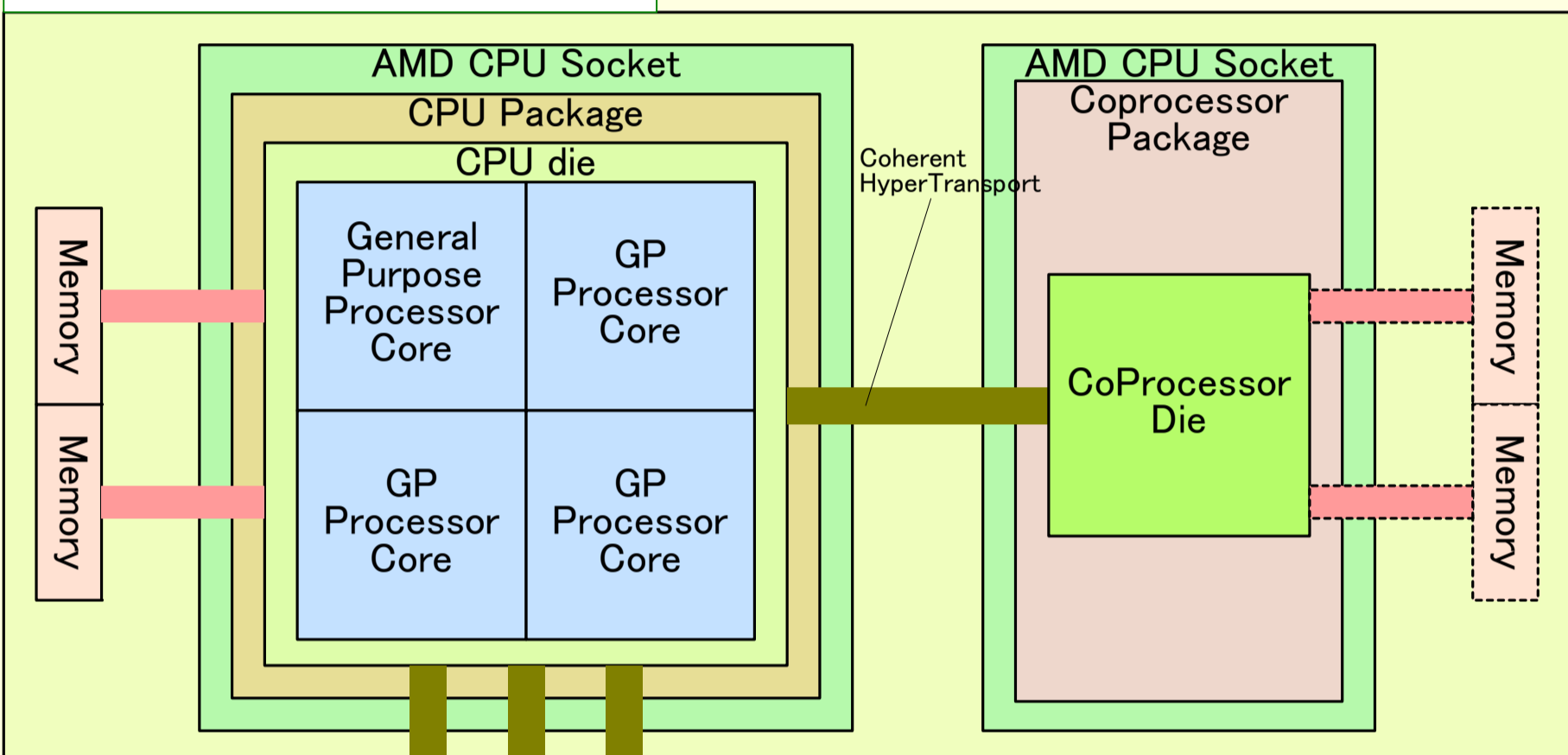


AMD Torrenza Initiative

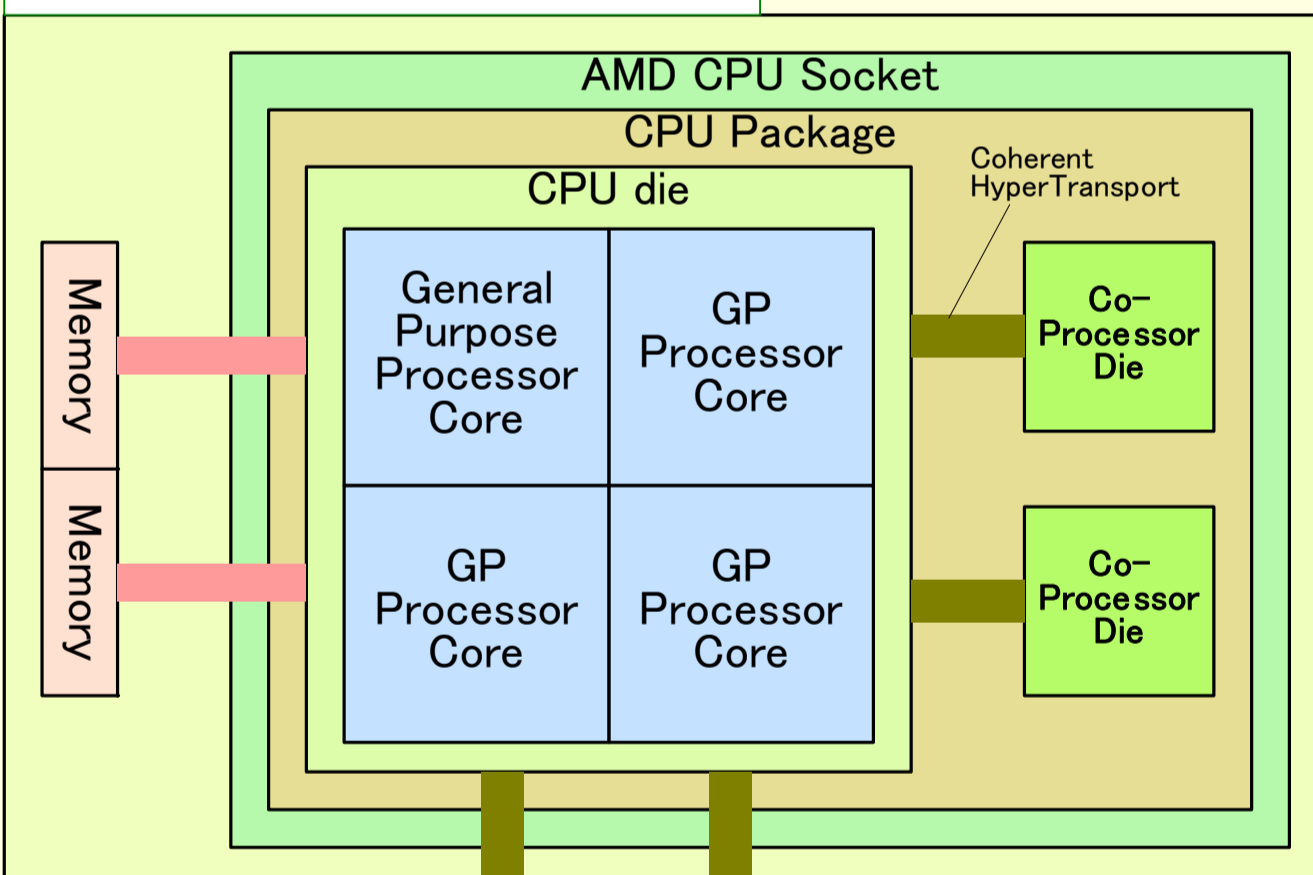
System Level Integration Example



Socket Level Integration Example



Chip Level Integration Example



Die Level Integration Example

