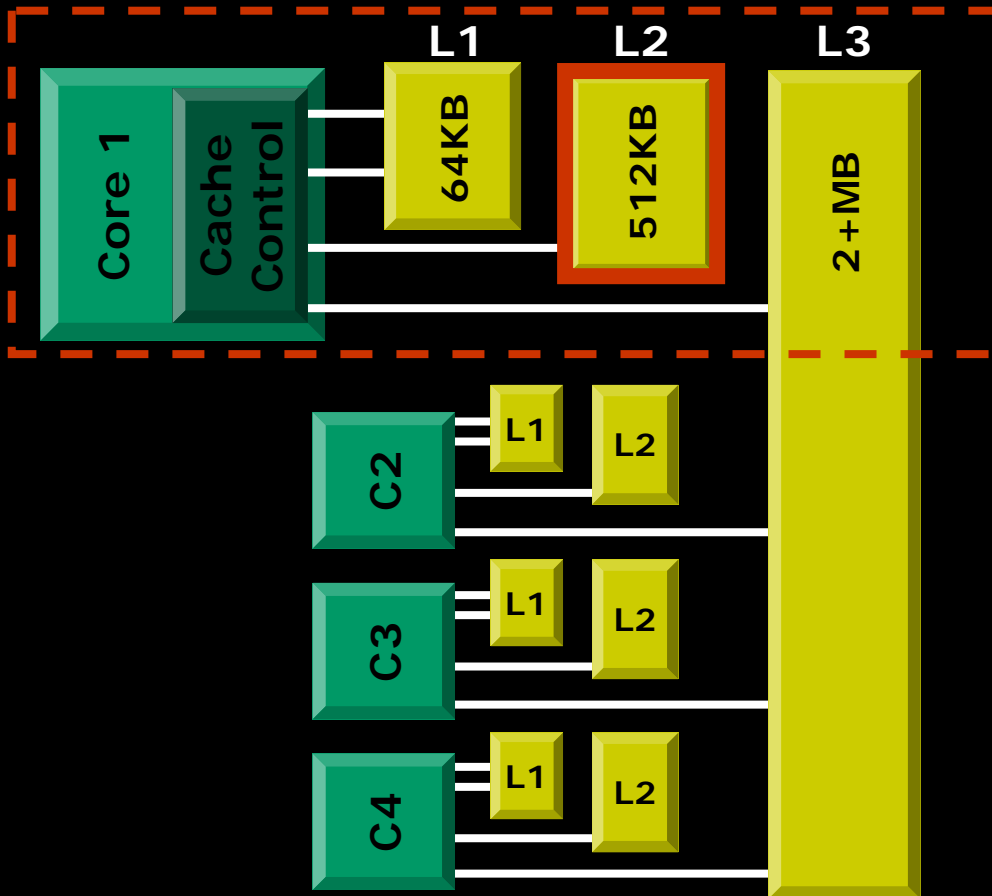


Balanced, Highly Efficient Cache Structure

Superior memory handling reduces the need for “brute force” cache sizes



Dedicated L2

- Sized to accommodate the majority of working sets today
- Dedicated to eliminate conflicts common in shared caches