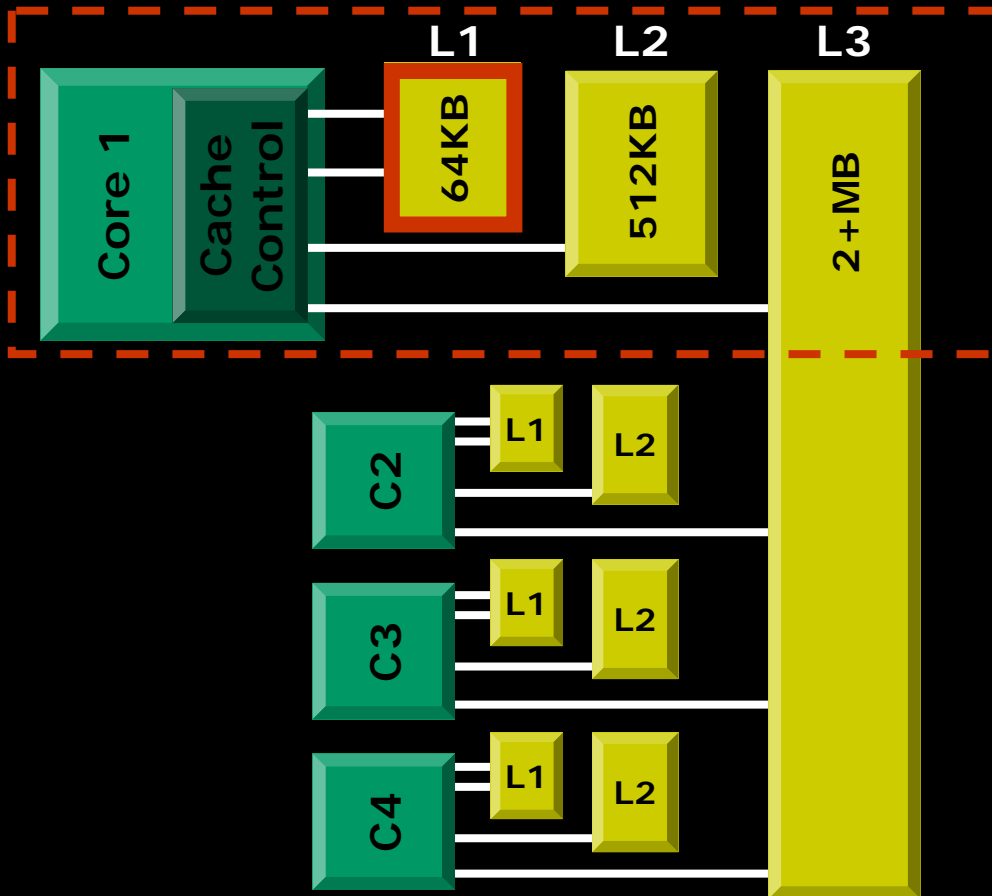


Balanced, Highly Efficient Cache Structure

Superior memory handling reduces the need for “brute force” cache sizes



Dedicated L1

- Locality keeps most critical data in the L1 cache
- Lowest latency
- ~95% of hits
- 2 128 bit data paths
- 2 loads per cycle