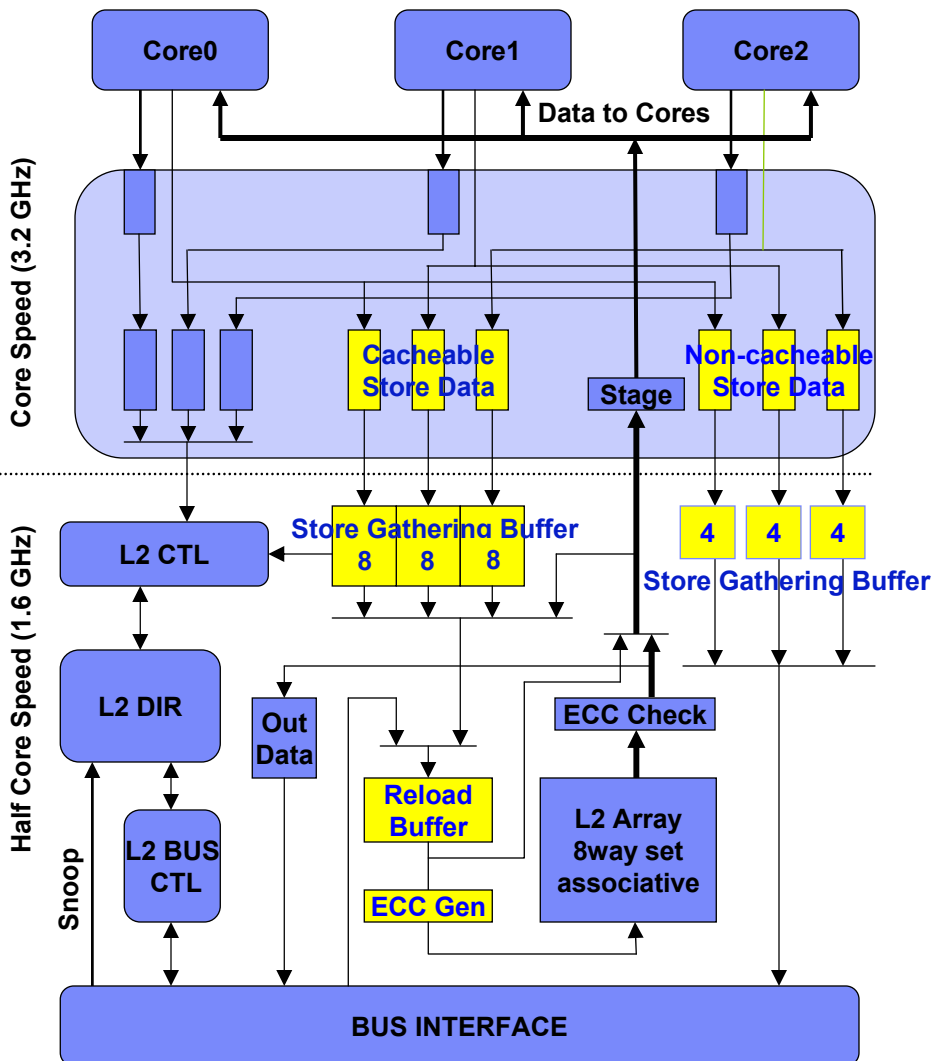


## Shared L2 Cache Features



### Cacheable (I=0)

- Cache Size : 1MB
- MESI Protocol
- 8-way set associative
- Pseudo-LRU
- Store Gathering per Core
  - 8 non-sequential Buffers
- ECC in Data Array
- Dual Directories
- Parity in DIR Array

### Cache Inhibited (I=1)

- Store Gathering per Core
  - 4 sequential Buffers
- Different Size Transfer

### Support for High BW Streaming