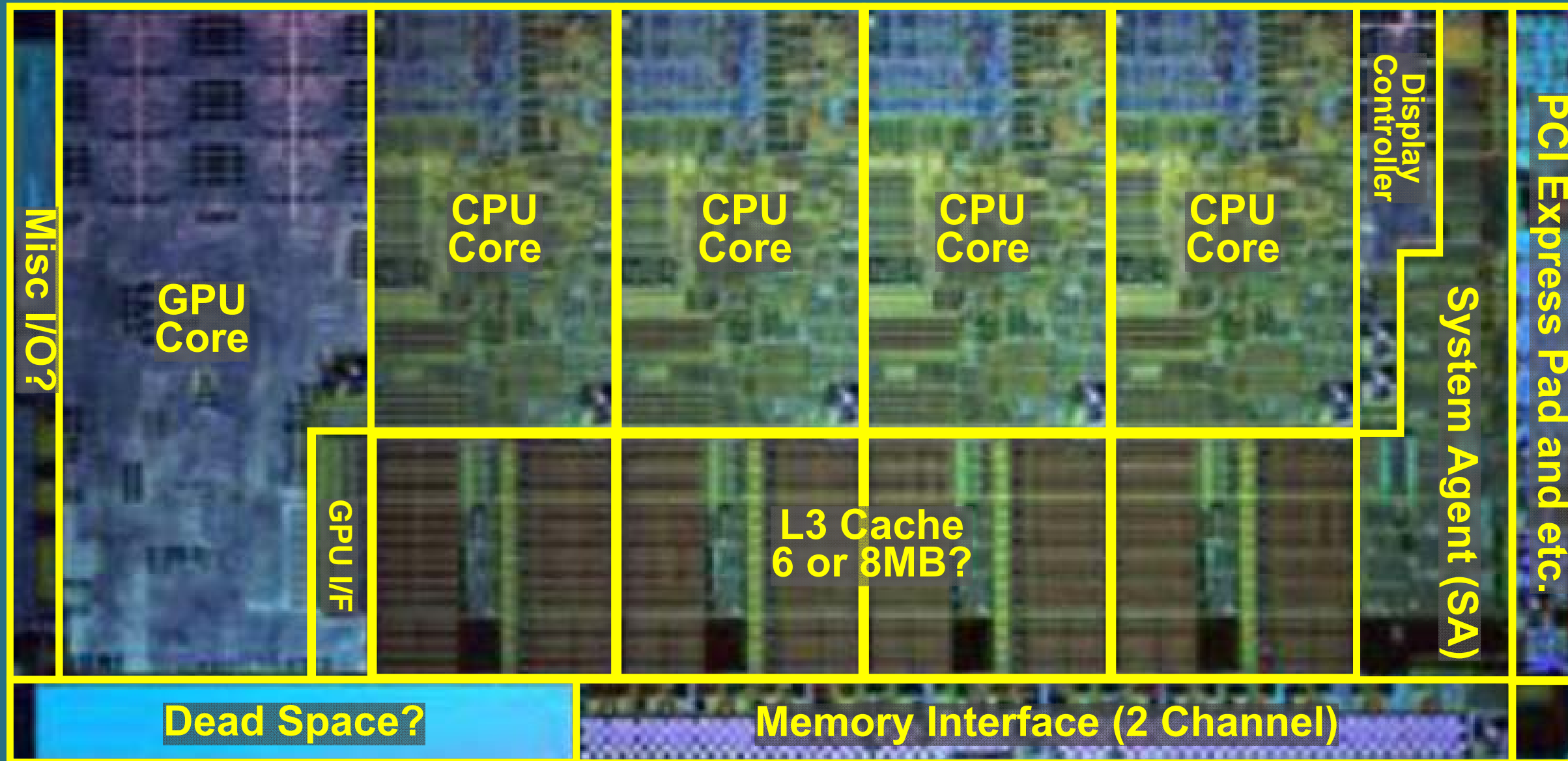


## Sandy Bridge Die Layout (Estimated)



4 CPU cores	32 nm Process
2 GPU cores	?M transistors
6or8MB? L3 Cache	22x mm <sup>2</sup> ?
PCI Express Gen2 20 Lanes	TDP 95/65W(Desktop)